

Chatter™

Data logger with integrated modem

General



MJK Chatter™ is designed for monitoring the liquid levels in drinking water and wastewater installations. Chatter™ has a built-in multi-channel data logger, a GSM / GPRS modem and a battery that ensures up to 5 years of continuous operation making one call a day.

The embedded software activates the required digital and/or analog inputs, and time-stamped data is stored at optional intervals by the Chatter™ data logger. The type of call can be selected (data, e-mail or SMS), and the modem can be set to the required call intervals.

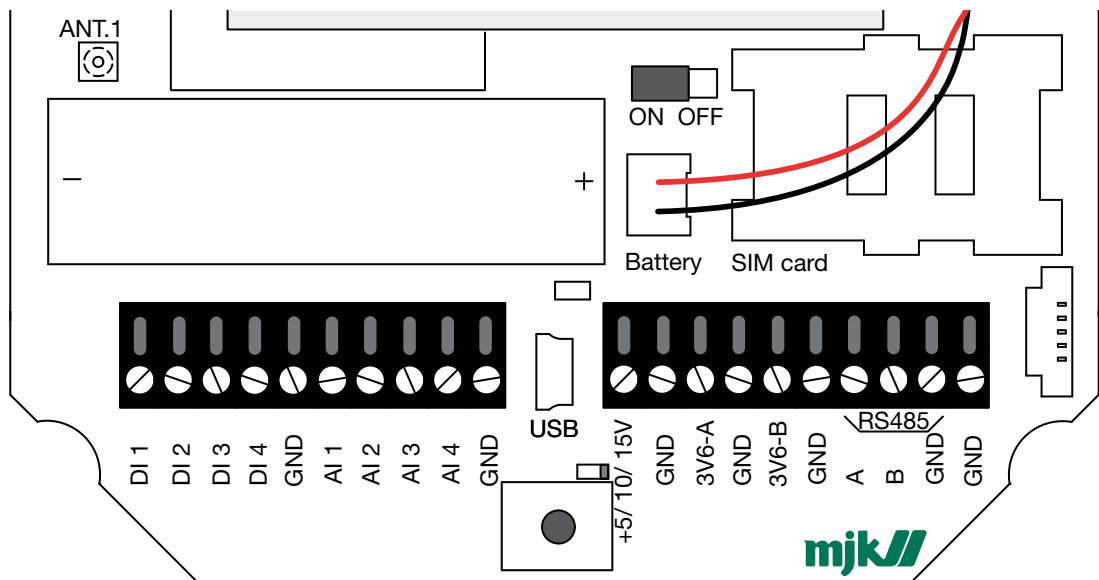
Chatter™ provides configuration for emergency or alarm functions that transmit data to a standard SQL database over the GPRS network as e-mail or SMS text.

Installation, configuration and data collection are very simple with the MJK user software, and data from the SQL database can easily be transferred to larger commercial SCADA systems.

MJK Chatter™ is available in two different versions: one for tube mounting and one for wall mounting.

6.1

Electrical Connections



Specifications - Order Numbers - Accessories

Specifications	
Digital inputs	4 pcs. 2 - 5 VDC (min. time for state 10 seconds)
Analog inputs	4 pcs. 0,1 - 2,5 VDC
Accuracy	Better than ± 1% for the inputs
Resolution	10 bit, input impedance: min. 10 Kohm
Data inputs	1 pc. RS-485 Modbus® input for max. 4 units. Modbus® RTU-mode, 9600 baud, 2-wire RS-485, master mode for max. 4 pressure transmitters, flow transmitters or data loggers. Configuration of connected Modbus® pressure transmitters.
Power supply	2 pcs. 3.6 VDC for pressure transmitters and 1 pc. 5 VDC ON/OFF-controlled by a microcontroller. +5 VDC can be replaced by +10 or +15 VDC.
Interface connector	Internal USB 1.1, type mini B, female
Antenna connector	MMCX, female
Data transmission	GSM/GPRS quad-band 850/900/1800/1900 MHz supporting TCP/IP. On-board SIM-card holder, TCP/IP socket connection over GPRS and Internet.
Memory storage	30.000 measured values (date and time stamped), data measurement and logging at fixed time intervals
Log intervals	10 secs, 1 – 10 min, 1, 2, 4, 8, 12 or 24 hours
Call intervals	10 min, 1, 2, 4, 8, 12 or 24 hours, 1 week
Power supply	Built-in 3,6 VDC, 19 Ah lithium battery
Performance	5 years@1 measurement/day and 1 call/day
Mounting	In tubes with inner diameter Ø2.5-4.2 in. or on wall
Temperature range	- 4 °F ... +140 °F
Air humidity	Max. 95% relative
Clock	Real-time clock with 1-sec. resolution, 24-hour clock
Enclosure rating	IP 67
Antenna mounted in/on:	Tube: Built-in Wall: see data sheet GB 6.3 GSM/GPRS Antennas
Materials mounted in/on:	Tube: PC-ASA (top) and aluminum (base) Wall: glas-reinforced PC (polycarbonate)
Weight	Tube mounting: 4 lbs Wall mounting: 1.6 lbs
Dimensions mounted in/on:	Tube: Ø7.5 x 5.9 in. (inner dia. Ø2.5-4.2 in.) Wall: 6.2 x 5.7 x 3.3 in. (W x H x D)
CE approvals	EN 61000-6-2:2001, EN 61000-6-3:2001

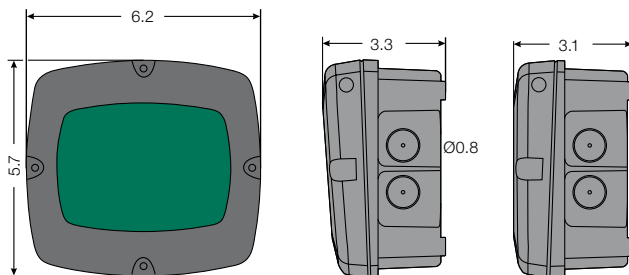
Order Numbers	
204105	Chatter™ GSM / GPRS for tube mounting
204106	Chatter™ GSM / GPRS / GPS for tube mounting
204110	Chatter™ GSM / GPRS for wall mounting
204111	Chatter™ GSM / GPRS / GPS for wall mounting

Accessories	
Chatter software	See data sheet: <i>DK 6.12 Chatter™ Software</i>
840134-001	<i>MJK Chatter™ CD</i> disk
840135-002	<i>MJK Chatter™ Setup Tool</i> : Local PC application for standard setup, initialization and registration in a server via USB of the Chatter™ unit.
840136-002	<i>MJK Chatter Link™</i> : Web application for the server with setup and configuration of the Chatter™ unit.
840138-001	<i>MJK Chatter™ Service</i> : Application for receiving data from the Chatter™ unit and transmitting to the database (runs as a service in the background with an icon in the taskbar).
Server requirements	Microsoft Server 2003, Microsoft Internet Explorer v.7, IIS v.6 (Internet Information Services) and MySQL v.5.1 (Sun, freeware) or Microsoft SQL Database 2005
Network reqs.	MPLS/APN (Multi-Protocol Label Switching) or GPRS
Antennas	See data sheet: GB 6.3x GSM/GPRS Antennas
Pres. transmitters	See data sheet: GB 2.76 Digital Pressure Transmitters
521751	Shim kit, metal, 3 x 3 pcs., shim sizes: 1, 2, 3 and 4
521752	Shim kit, metal, 3 x 3 pcs., shim sizes: 4, 5 and 6
521755	Shim screws, kit with 3 pcs.
521756	Thread bushing for plastic shims
521757	Padlock bracket, Ø 0.3mm
521760	Gasket for Chatter™ base/tube
521761	Gasket for Chatter™ top/base
521762	Gasket for Chatter™ cover plate
550246	Battery 3.6 V, 19 Ah
569108	Screw, self-tapping, KB50x14
569123	Screw, self-tapping, KB35x7
571055	Rubber band, 2.7 in., folded

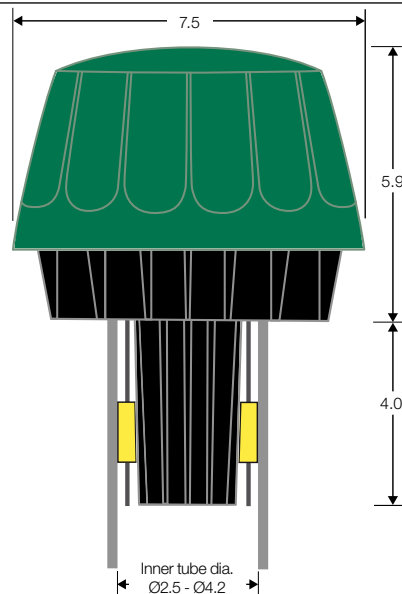
Mechanical Dimensions

(in inches)

Wall mounting:



Tube mounting:



Distributed by:

MJK offices:

Denmark
www.mjk.dk
mjk@mjk.dk
+45 45 56 06 56

Norway
www.mjk.no
mjk@mjk.no
+47 69 20 60 70

The Netherlands
www.mjk.com
mjknl@mjk.com
+31 251 672171

Sweden
www.mjk.se
kontoret@mjk.se
+46 53 31 77 50

North America
www.mjk.com
mjkusa@mjk.com
+1 847 482 8655

Australia
www.mjk.com
mjk@mjk.com
+61 3 9755 1529