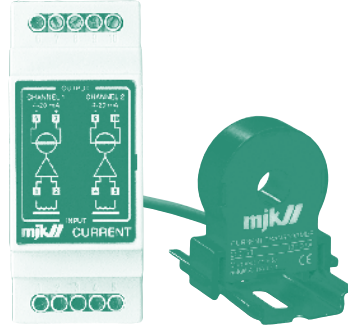




A / mA Converter

General



The Ampere / mA converter is used for monitoring of motor current where the motor current from one of the phase conductors is converted to a mA signal, so the motor current can be used for control, monitoring and recording.

The converter is supplied with two separate channels for monitoring pump stations equipped with one or two pumps.

Special features

- Two separate input and output channels.
- Easy to install; both converter and current transformer are DIN rail mounted.
- Measuring range from 0-10 A to 0-100 A.
- Loop powered from the output mA loop power supply.

Function

One of the phase conductors for the motor to be monitored is led through the hole in the current transformer. The current transformer is connected to DIN rail ampere / mA converter, which converts the motor current to a 4 - 20 mA signal which can be fed to a frequency converter, indicator, recorder or MJK 795 Data Transmitter.

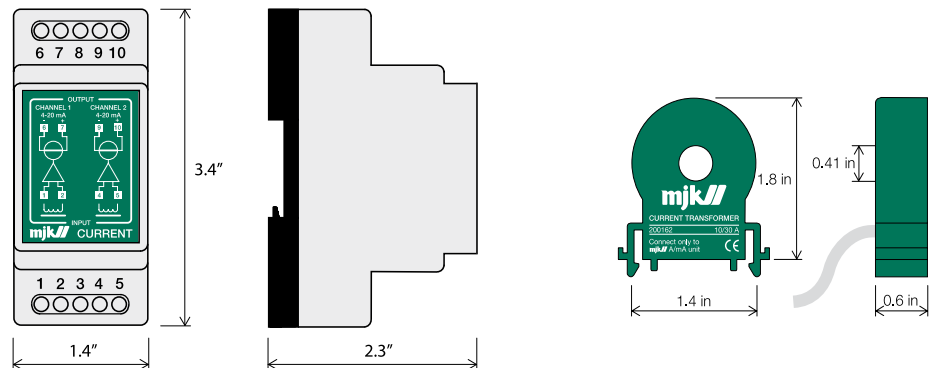
Monitoring of pumps:
The A / mA converter is designed especially for monitoring of pumps where the 4 - 20 mA output signal is used to indicate a motor is in operation and monitoring of motor current level. Using an A / mA converter to signal pump is running instead of the usual auxiliary switch on the motor contactor, failures such as thermal overload switches, defective phase fuses and dry pump operation can be monitored.

6.6

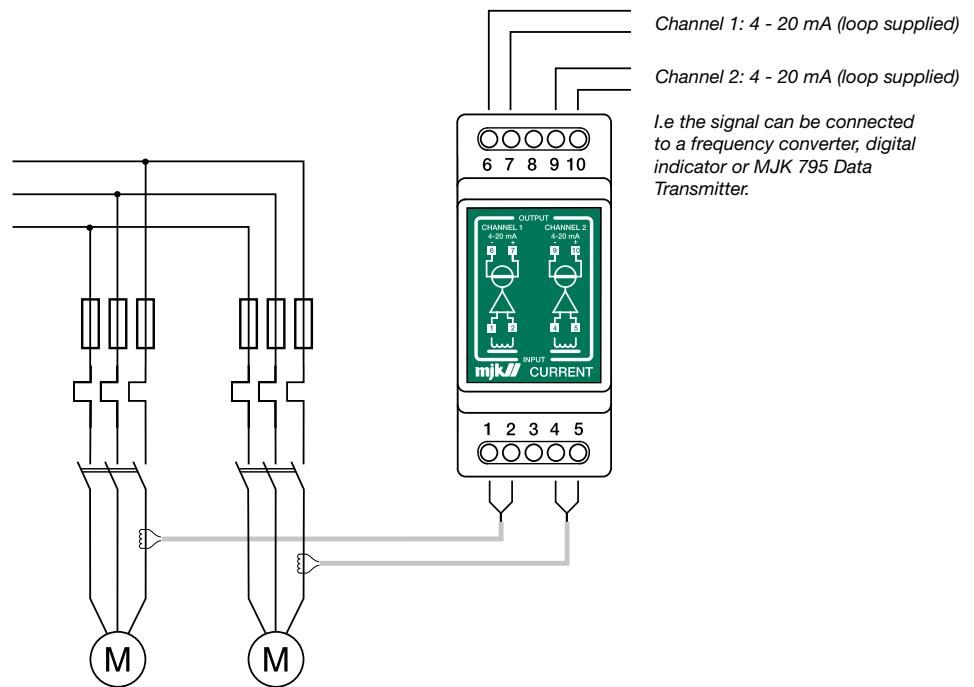
Specifications

Inputs:	2 x current transformers, 10 / 30 A or 33 / 100 A	Accuracy:	Better than $\pm 2\%$
Output:	4 - 20 mA	Temperature:	- 5 ... + 140 °F
Supply:	10 - 30 V DC	Channels:	2
		Enclosure:	NEMA 1
		Mounting:	DIN rail

Dimensions



Electrical connection



Order numbers

A / mA converter and current transformers

200161	A / mA converter
200162	Separate current transformer, 10 / 30 A
200163	Separate current transformer, 33 / 100 A

See Bulletin 6.3 for digital displays, and www.mjk.com for information on MJK 795 data loggers and transmitter loop power supplies.

Distributed by:

MJK offices:

Denmark
www.mjk.dk
mjk@mjk.dk
+45 45 56 06 56

Norway
www.mjk.no
mjk@mjk.no
+47 69 20 60 70

The Netherlands
www.mjk.com
mjknl@mjk.com
+31 251 672171

Sweden
www.mjk.se
kontoret@mjk.se
+46 53 31 77 50

North America
www.mjk.com
mjkusa@mjk.com
+1 847 482 8655

Australia
www.mjk.com
mjk@mjk.com
+61 3 9758 8533