



Mobile Bridge Jib for single drum winch SEWII

for measurements with cable suspended F1 current meter equipment
5 to 50 kg from bridges with different railings

- Comfortabel multi-place measurements
- Easy Handling
- Quick Mounting
- Special version for up to 100 kg available

Function Description

Picture 1:

After the mounting of the mobile bridge jib and the single drum winch SEW II, the torpedo sinker weight can be fixed on the measuring cable / suspension cable. Bigger torpedo sinker weights can be lifted directly out of the transport case on top of the bridge railing. And there the stabilizer tail piece and cable suspended meter F1 is assembled to the torpedo sinker weight.

Now you can start with the LOWERING for the measurement.

Picture 2:

The swivelling arm locks and the cable suspended current meter equipment is lowered on the bridge railing. From there the cable suspended current meter equipment can be dismantled for transport.

The assembled cable suspended current meter equipment is lifted from the bridge railing until the swivelling arm unlocks.

Picture 3:

After the stopper reached the return pulley the cable suspended current meter is lifted back over the bridge railing.

The unlocked swivelling arm carries the cable suspended current meter equipment over the bridge railing.

Picture 4:

After the measurement the cable suspended current meter equipment is lifted from the waters.

From there the cable suspended current meter equipment is lowered into the water.

Picture 5:

To measure from other points, the bridge jib is simply sledged step by step alongside the railing to the next point of measurement.

Picture 6:

The bridge jib is very easy to mount.

pic. 1



pic. 2



pic. 3



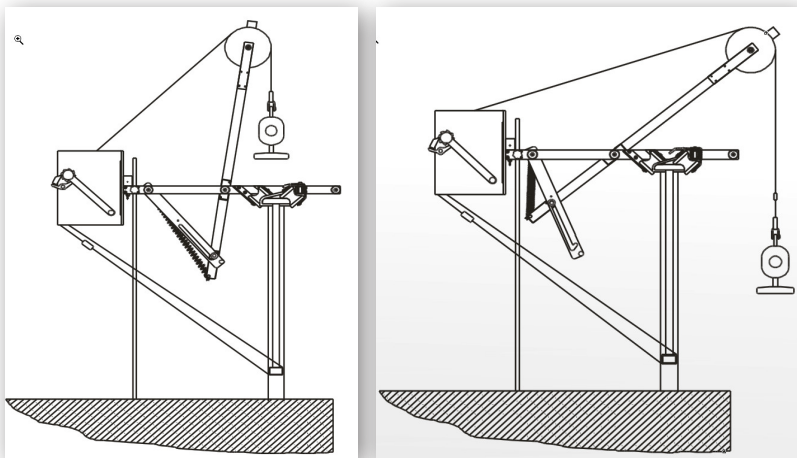
pic. 4



pic. 5



pic. 6



Contact:

SEBA Hydrometrie GmbH & Co. KG • Gewerbestraße 61 A • 87600 Kaufbeuren • Germany
Telefon: +49 (0) 8341 96 48 - 0 • E-Mail: info@seba.de • Web: www.seba.de