

# Sampler 780

AWARD WINNING LIQUID SAMPLER

7.10

## General

Automatic sampling from rivers and waste water systems requires high quality, reliable equipment and with 780 Liquid Sampler, MJK has again set new standards for design and function.

Den the enclosure is stainless steel and all parts that are in contact with the liquid are either glass, stainless steel or plastic.

Great care has been taken to ensure reliability. The unit is waterproof to IP55 and all the electronics, valves etc. are contained within the body of the sampler with all the controls being operated from a „soft-touch“ keypad, while any parts which need to be cleaned are mounted externally.

## Features

- Waterproof stainless steel construction.
- Compact size 165x410x235 mm (bxhxd).
- Easy wall mounting.
- Internal (manual) and external (flow and time proportional).
- Dual supply (12V DC or 110 - 240V AC).
- Built-in alarm system and self-redress in case of obstruction.

## Applikations

The 780 Liquid Sampler is designed to take samples from lakes, rivers, sewage systems, pumping stations, etc. The sampler 780 can be connected directly to MJK Flow Converter 713, for flow proportional sampling

## Usage

The 780 Liquid Sampler uses the pressure and vacuum sampling method. When the sampler receives the start signal from either the control panel or an external controller, the sample tube is pressurised to clear it of any residue from the previous sample. The vacuum is then turned on until the sample glass is full.

Then the glass is again pressurised to clear the sur-plus liquid from it leaving the required sample (20 to 500ml) in the glass. When the required level is reached the outlet valve opens and the sample runs into the collecting vessel.

If the sample does not fill within a set time, it's because the sample tube is blocked, the vacuum is switched off and the sampler repressurises the sample tube to clear the obstruction and starts again. If the sampler fails again the alarm signal is sent and the error display on the control panel is illuminated.

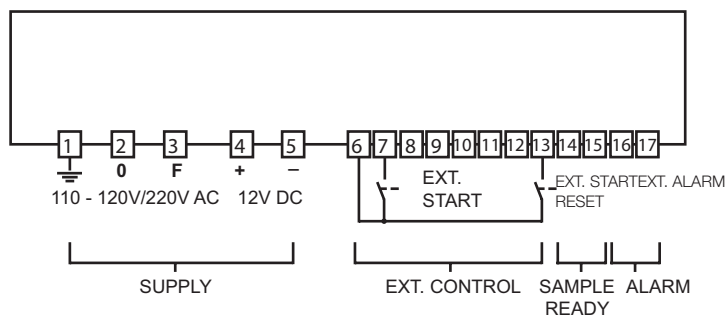
As most of the samples should be volume proportional, the sampler 780 can be connected directly to a flow meter.

However, if it is wished to vary the cycle all the functions can be controlled externally via a terminal block, so the control of all the internal functions and the monitoring can be made from a PLC or directly from the process computer of the sewage plant.

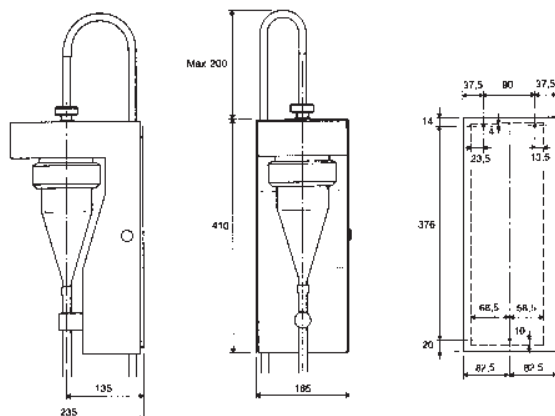


# Sampler 780 Prøvetager

## Electrical Connection



## Dimensions



## Specifications

Sampler 780	
Cabinet	Stainless Steel welded construction
Enclosure	IP-55
Weight	5 kg
Dimensions	165mm x 410mm x 235mm (WxHxD)
Cycle Time	app. 2 min. (adjustable 1-10 min.)
Sample size	20 ml - 500 ml
Vacuum	Max. 7,5 m
Pressure	Max. 1 bar (pressurise the sample tube)
Inlet Tube	PVC tube i. d. 9 mm
Outlet Tube	Silicone tube i. d. 9,5 mm
Voltage	12V DC & 220 - 240/110 - 120V AC
Consumption	In Operation: 30 W Stand by: 2 W

## Order Numbers

Sampler 780	
203520	Sampler 780, 230VAC, 12VDC
Accessories	
203551	Integrator / timer 783-1320 for 780 Input, 4-20mA
595110	Sample glass for 780
595120	Inlet tube pvc / pr. m
595121	Effluent tube silicone / pr.m