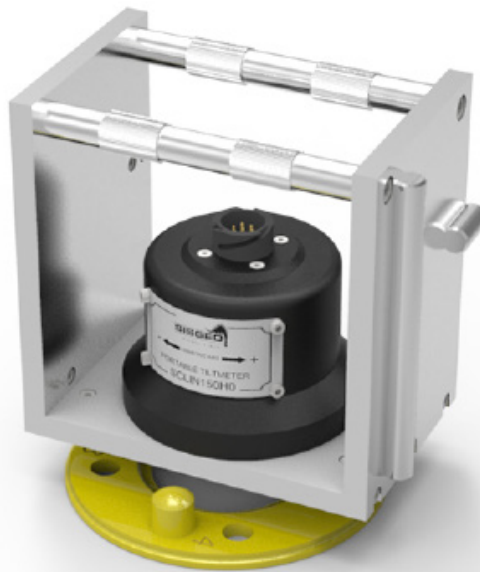


TILLI

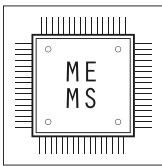
— **TILLI**  
PORTABLE  
TILTMETER

INCLINOMETERS  
& PENDULUMS





## TILLI PORTABLE TILTMETER



TILLI is a portable tiltmeter composed by a rugged stainless steel frame with aluminium sensor housing containing a self-compensated MEMS accelerometer. The surfaces of the frame are machined to allow an accurate positioning of the tiltmeter during measurements.

When in use, TILLI is placed on the tilt plate which is permanently installed on the structure surface. The bottom surface of the tiltmeter is used with horizontally-mounted tilt plates while the side surface is used with vertically-mounted tilt plate.

Readings in two orthogonal directions can be obtained rotating the instrument of 90° only on the horizontal surface. Coniugated measurements (180 degree rotation) eliminate instrumental offset.

### APPLICATIONS

- Monitoring rotations in open pits and retaining walls
- Rotations caused by tunneling and mining
- Monitoring rotation in structures and buildings
- Slope stability and rock masses displacements

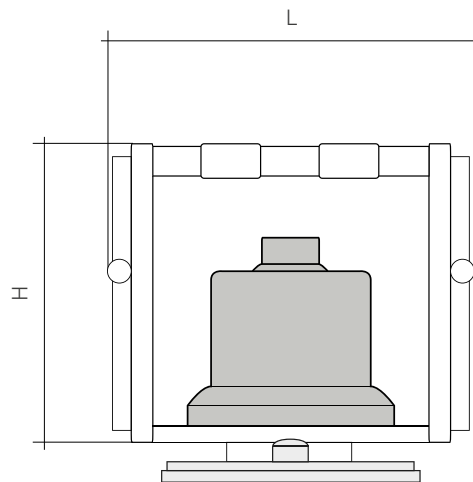
### FEATURES

- Light and rugged system
- Very accurate thanks to the new MEMS technology
- Available steel protection cover to preserve measuring plate

 Meet the essential requirements of the EMC Directive 2014/30/UE

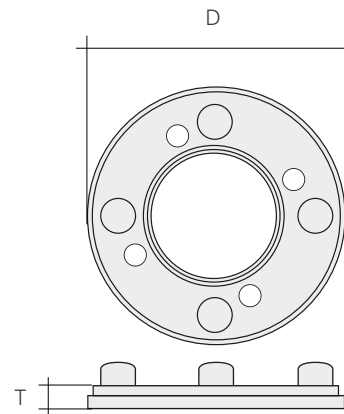
## TECHNICAL SPECIFICATIONS

	<b>OSCLIN150H0 TILTMETER</b> <span style="float: right;">CE</span>
TILLI sensor	Uniaxial self-compensated MEMS
Measuring range	±15° from the vertical
Sensor sensitivity	0.0013°
Repeatability	< ± 0.003°
Accuracy	< 0.06% FS (with 3 <sup>rd</sup> degree polynomial)
Thermal drift	± 0.005% / °C
Temp. operating range	-30°C to +70°C
Material	Stainless steel frame anodised aluminium sensor housing
Protection and overall dimensions (LxWxH)	IP67, 172x100x150 mm
Weight	3 Kg
Carrying case	Shock-resistant box dimension: 340x 290x150 mm

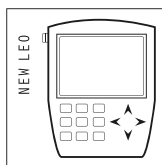
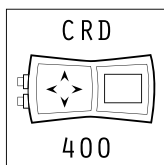


## TILT PLATE

	<b>OSCLTP14B00</b>
Material	brass
Dimension (DxT)	135x23 mm
Weight	630 g
Mounting method	epoxy bonding compound or screws (four 13 mm holes provided)



## READABLE BY



For further information refer to their own datasheets

All the information in this document is the property of Sisgeo S.r.l. and should not be used without permission from Sisgeo S.r.l.  
We reserve the right to change our product without prior notice.

### SISGEO S.R.L.

VIA F. SERPERO 4/F1  
20060 MASATE (MI) ITALY  
PHONE +39 02 95764130  
FAX +39 02 95762011  
INFO@SISGEO.COM

### ADDITIONAL SUPPORT

SISGEO offers on-line assistance service to the Customers in order to maximize the performance of the system and training on the correct use of the instrument/readout.

For more information contact mail: [assistance@sisgeo.com](mailto:assistance@sisgeo.com)